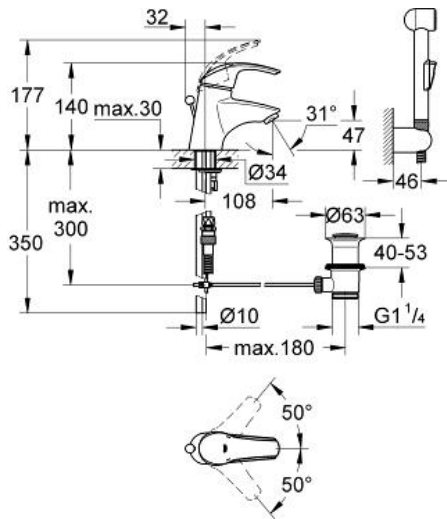


EUROSMART HYGIENICA  
Single-lever basin mixer 1/2" S-  
Size

MODEL # 33446001

Pure Freude  
an Wasser

GROHE



**Product Description:**  
**EUROSMART HYGIENICA**  
Single-lever basin mixer 1/2"  
S-Size

**Standard Specification:**  
single hole installation  
metal lever  
**GROHE SilkMove** 46 mm ceramic cartridge  
**GROHE StarLight** chrome finish  
adjustable flow rate limiter  
adjustable minimum flow rate approx. 2.5 l/min  
mousseur  
pop-up waste set 1 1/4"  
rapid installation system  
**with shower set**  
consisting of:  
hand shower with integrated diverter  
wall shower holder  
shower hose  
optional temperature limiter ref. no. 46 375

**Color:**  
□ 33446001 chrome